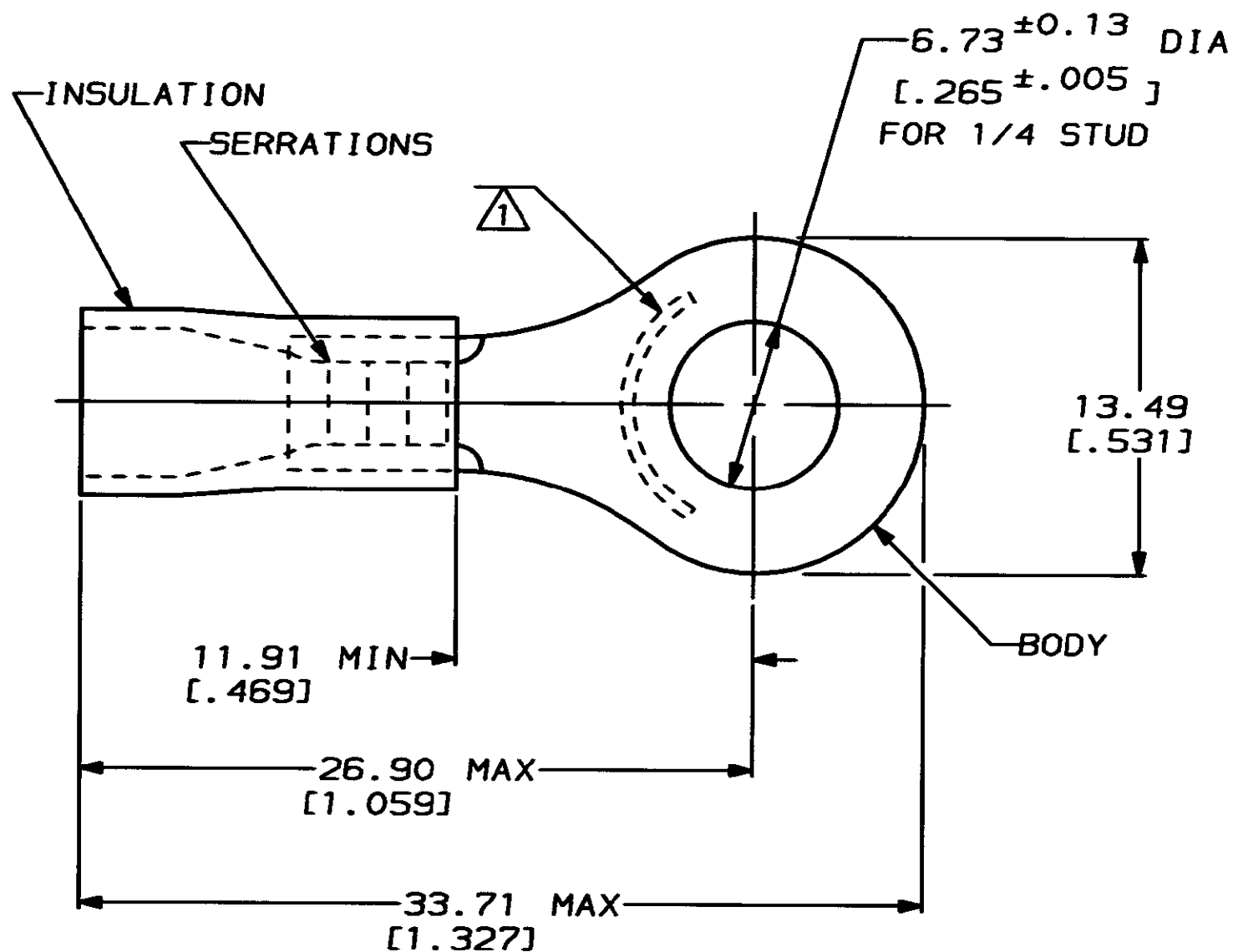


THIS DRAWING IS UNPUBLISHED. RELEASED FOR PUBLICATION .19 .
 © COPYRIGHT 19 BY AMP INCORPORATED. ALL INTERNATIONAL RIGHTS RESERVED.

LOC	DIST	P	F	REVISIONS				
G	14			ZONE	LTR	DESCRIPTION	DATE	APPD
				G		REV / 0720-0091-93	6/93	ME

AMP WIRE RANGE	Listed	LR7189 Certified
12-10 AWG SOLID OR STRANDED	12-10 AWG SOLID OR STRANDED	12-10 AWG SOLID OR STRANDED

METRIC
 DIMENSIONS LISTED IN mm [INCHES]



- 1 STAMP AMP 12-10* APPROX AS SHOWN
- 2 WIRE INSULATION DIA: .150-.230
- 3 TONGUE MATERIAL THK: 1.02±0.05 [.040±.002]

50	LOOSE PC, BOX	8-34171-2
2500	ON TAPE, REEL	2-34171-1
-	LOOSE PIECE	34171
QUANTITY	PACKAGE TYPE	PART NO

**AMP INCORPORATED
 CUSTOMER SERVICE SYSTEMS**

FOR ADDITIONAL PRODUCT INFORMATION OR COPIES OF DRAWINGS AND TECHNICAL DOCUMENTS	PRODUCT INFORMATION CENTER 1-800-522-6752
FOR APPLICATION TOOLING INFORMATION	TOOLING ASSISTANCE CENTER 1-800-722-1111
FOR ORDER ENTRY	1-800-526-5142

MAX RECOMMENDED OPERATING TEMPERATURE: 90°C MAX
VOLTAGE RATING: NOT APPLICABLE
CIRCULAR MIL AREA: 2.62-6.64mm ² [5, 180-13, 100] SOLID OR STRANDED

DO NOT SCALE PRINT. UNLESS SPECIFIED DIMENSIONS IN — ENGLISH — TOLERANCES ON: 2 PLC DEC ± 0.20 (.008) 3 PLC DEC ± - ANGLES ± -
MATERIAL COPPER PER ASTM B-152 PVC COLOR: YELLOW
FINISH TIN PLATE PER MIL-T-10727

DR 08/08/92 OK SCHRUM
CHK 11/10/92 RE HERSEY
APPD 11/10/92 NL ELLIS
APPD 11/10/92 N BARBARA
PRODUCT SPEC 108-1034
APPLICATION SPEC NOT AVAILABLE
WEIGHT -

AMP AMP Incorporated Harrisburg, PA 17105-3508		
NAME TERMINAL, RING TONGUE, PLASTI-GRIP™		
SIZE B	CAGE CODE 00779	DRAWING NO C-34171
SCALE 4:1	SHEET 1 OF 1	

THIS DRAWING IS A CONTROLLED DOCUMENT FOR
 AMP INCORPORATED. IT IS SUBJECT TO CHANGE
 AND THE CONTROLLING ENGINEERING ORGANIZATION
 SHOULD BE CONTACTED FOR THE LATEST REVISION.